

BAIC



BJ30

MODERN, EFFICIENT, HYBRID

The BJ30 features a striking modern design, advanced hybrid technology, and innovative four-wheel drive. The spacious interior, comprehensive standard features, and impressive functionality of the BJ30 will appeal to even the most discerning user.

The robust, rugged silhouette of this 4.7-meter SUV and the striking two-tone alloy wheels help it stand out from the crowd. The L-shaped floating roof combined with the hardtop design further accentuates the hard-core style.





RUGGED REAR DESIGN

The back appearance of the BJ30 is reinforced by a double-D vertical shape taillight, making it more recognizable. It is also paired with a new bright black + silver decorative rear surround, which echoes well with the front bumper.

LIGHT THE PATH AHEAD

Polygonal LED stripe headlights integrated with the narrow-stripe front grille, and are covered with transparent housings to enhance the vehicle a more stylish look. A striking facade that lights the way ahead.





**MODERN
TECH-FOCUSED
INTERIOR**

The new BAIC BJ30 takes a digital leap with its dual multimedia screens. A large 14.6-inch suspended infotainment screen on the center console and a 10.25-inch LCD instrument panel behind the steering wheel give you a fast, immersive experience that puts information, entertainment and technology at your fingertips.

NEED MORE SPACE?

The BJ30 features a large trunk with an electric tailgate. You can adjust the tailgate's opening angle, and with the second-row seats folded down, the trunk becomes a flat 190 cm long, offering up to 1,496 liters of storage. It also includes anchor points to secure your cargo.



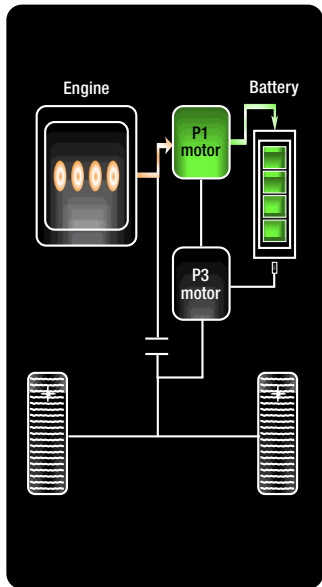
ELECTRONIC SHIFT LEVER

The electronic gear shifter adopts a fighter-jet propeller design which can be shifted with the flick of a finger. The all-terrain control system can automatically optimize the vehicle's various control systems, allowing it to adapt to different terrains.

HYBRID OPERATION MODES

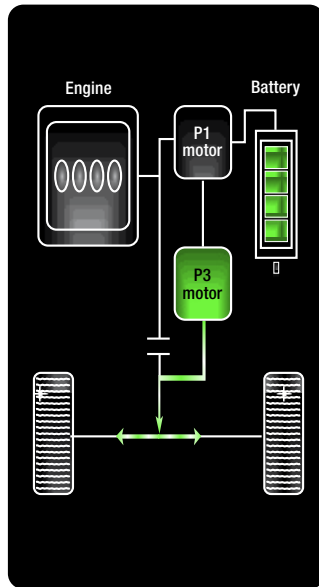
The BJ30 hybrid features six energy management modes designed to enhance vehicle efficiency and fuel economy. Switching between them is instantaneous, prioritizing the best performance for the current driving scenario.

Generate electricity while parking



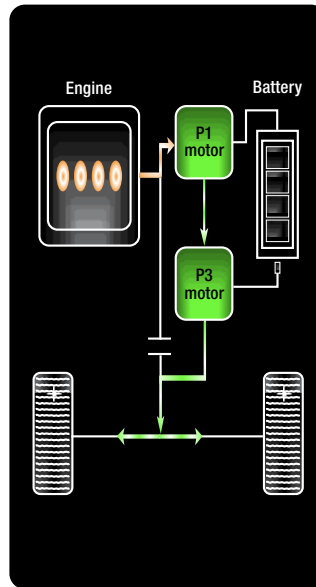
Generate electricity while stationary.

Electric motor drive



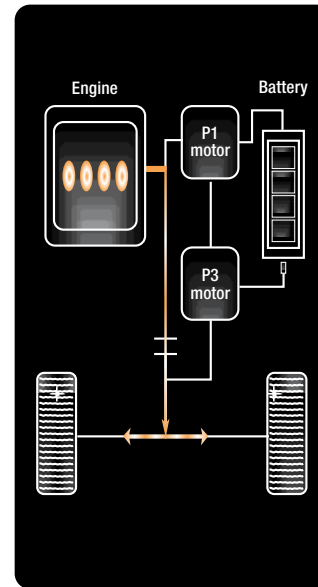
Driving in pure electric mode.

Series drive



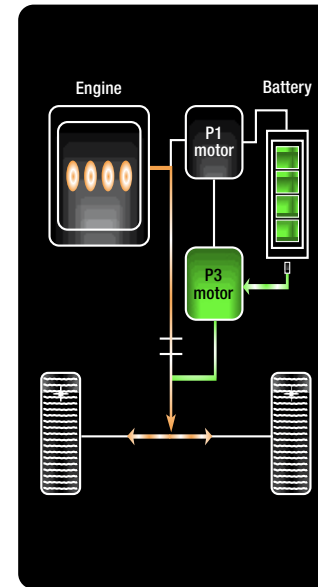
Driving in electric mode. The combustion engine serves as a power generator.

Engine drive



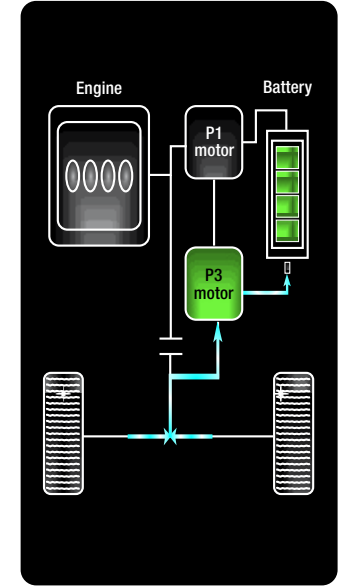
Driving in combustion-only mode.

Parallel drive



Driving in mixed electric and combustion mode, e.g. during dynamic driving.

Electricity regeneration



Energy recovery when braking or slowing down the vehicle.

* The above conditions will automatically adjust with the vehicle battery power, road slope, driving mode, etc., to ensure that the vehicle is driving in the best state.

COLOR PAINT OPTIONS



Cloud Moss Green



Jet Black



Matte Platinum Grey



Pearl White



Sky Blue



Platinum Grey



Light Grey

DIMENSIONS



TECHNICAL SPECIFICATIONS

Model/Configurations	BJ30		BJ30e	
	1.5T 2WD LV2	1.5T 2WD LV3	1.5T(DHT) 2WD LV4	1.5T(DHT) 4WD LV5
— Basic Information —				
Length / Width / Height (mm)	4730 / 1910 / 1790			
Wheelbase (mm)	2820			
Ground clearance (mm)	215			
Curb weight	1600	1600	1690	1770
Number of seats	5			
Energy type	Gasoline	Gasoline	Gasoline + Battery	Gasoline + Battery
Fuel tank capacity	60	60	60	51
Engine capacity	1498	1498	1498	1498
Maximum power of Engine (kW)	130 @ 5500rpm		116 @ 5000rpm	
Maximum torque of Engine (Nm)	300 @ 1500 - 4250rpm		235 @ 2000 - 4500rpm	
Maximum power of electric motor (kW)	—	—	130	130 (Front); 55 (Rear)
Maximum torque of electric motor (Nm)	—	—	315	315 (Front); 135 (Rear)
Maximum power of power system (kW)	—	—	246	301
Maximum torque of power system (Nm)	—	—	550	685
Driver type	2WD	2WD	2WD	Real-time 4WD
Front/rear suspension	Front: McPherson independent suspension; Rear: Independent suspension			
Front/rear brake	Front & rear disk brake			
Approach angle	24.5°			
Departure angle	30°			
Ramp angle	21°			
Tire type	235/65 R18	235/60 R19	235/60 R19	235/60 R19
Transmission	7DCT	7DCT	DHT	DHT
— Exterior —				
LED front headlight	●	●	●	●
HMA High Beam assist	●	●	●	●
Headlight-height adjustment	●	●	●	●
LED daytime running lights	●	●	●	●
LED tail lights	●	●	●	●
LED high mounted brake lights	●	●	●	●
Outside mirrors with logo-welcome light	●	●	●	●
All-covered door	●	●	●	●
Roof rail	—	●	●	●
— Interior —				
10.25-inch LCD instrument	●	●	●	●
14.6-inch center screen	●	●	●	●
Multi-function steering wheel	●	●	●	●
Steering wheel 4-way manual adjustment	●	●	●	●
Passenger handle/rear-row handle	●	●	●	●
Front 12V power	●	●	●	●
Trunk 12V power	●	●	●	●
USB Type-A (front-1)	●	●	●	●
USB Type-C (front-1 & rear-1)	●	●	●	●
Trunk OUT-PUT 220V power (150w)	—	●	●	●
Hi-END speaker (quantity)	8			
Sunroof (with curtain)	—	●	●	●
Second-row armrest with cup holder	●	●	●	●
Rear seat- 4/6 foldable	●	●	●	●
Second-row seat be placed flat	●	●	●	●
Trunk camp table	●	●	●	●
Trunk door camp light hook	●	●	●	●
Center control multi-function bracket mounting	●	●	●	●

— Seat —				
Leather seat	●	●	●	●
Driver seat 6-way adjustment (electric)	●	●	●	●
Passenger seat 6-way adjustment (electric)	●	●	●	●
Second-row seat lumbar support electric 4-way adjustment	●	●	●	●
Seat reclining like beach seat	●	●	●	●
Front seat ventilation	—	●	—	●
Front seat heating	—	●	●	●
Driver seat 3-sets seat memory	—	●	—	●
Driver seat welcome mode	—	●	—	●
— Drive —				
Drive mode	Standard, Sports, Economy, Snow			
Launch mode (with Sound effect)	—	—	●	●
All-terrain system	—	—	—	Mud, Sand, Wading
Electronic limited slip assist	—	—	—	●
— Safety —				
Driver & passenger airbags	●	●	●	●
Driver and passenger side airbags	●	●	●	●
Side air curtains	●	●	●	●
Front parking radars	4			
Rear parking radars	4			
Parking camera	●	●	●	●
Car anti-theft system	●	●	●	●
Automatic driving lock/stalling unlock	●	●	●	●
Automatic lock after leaving	●	●	●	●
Automatic unlock after collision	●	●	●	●
Tire pressure monitoring system	●	●	●	●
Complete ADAS	●	●	●	●
— Comfort —				
Dual-zone automatic A/C	●	●	●	●
Armrest box heating and cooling	●	●	●	●
A/C pre-ventilation	—	●	●	●
Second-row seat vents	●	●	●	●
— Convenience —				
Keyless entry	●	●	●	●
Remote key	●	●	●	●
Wireless charge	●	●	●	●
Power tailgate with smart anti-pinch	●	●	●	●
Rain sensor front wiper	●	●	●	●
Outside mirrors with electric adjustment	●	●	●	●
Heated outside mirrors	●	●	●	●
Outside mirrors with electric folding (lock car folds automatically)	●	●	●	●
Dimming rearview mirror	●	●	●	●
DA head unit (with DAB radio)	●	●	●	●
WIFI	●	●	●	●
Bluetooth music & phone	●	●	●	●
Smart phone connection	●	●	●	●
IACC intelligent adaptive Cruise Control	●	●	●	●
Carplay	●	●	●	●
360 motive 3D panoramic image	●	●	●	●

● Standard configuration. — Configuration is not available.

BAIC

For more details, please visit www.baicglobal.com

This brochure is published by BAIC International Development Co. Ltd. All figures and presentations may be amended from time to time E.O.E.

Due to product design or improvement, etc., we reserve the rights to amend the models and service specified herein without notice. The parameters and configurations shall be subject to the actual products.




T.C.Y. Motors Sdn. Bhd.

Lot Q9 & Q10, Tapak Perindustrian Lambak Kanan Berakas,

Bandar Seri Begawan BB1714, Brunei Darussalam

<https://www.baicbrunei.com>

 [baicbrunei](#)

 [baicbrunei](#)